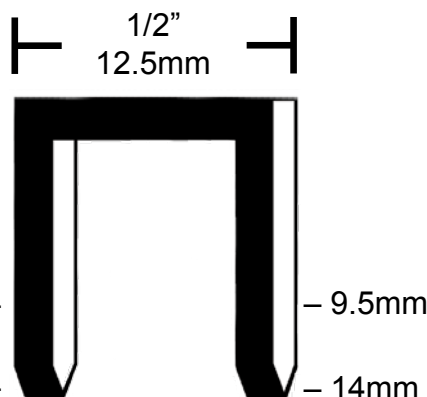




RAPTOR

Fastener Type RAPTOR® SH/05 Composite 16 Gauge Staple



Packaging

SH/05-37 : 5040 staples per box
SH/05-55 : 4200 staples per box • 20 boxes per case

BENEFITS

- ✓ **Sawable, Sandable & Planeable**
- ✓ **Never Rusts or Corrodes**
- ✓ **Bonds Like Glue**
- ✓ **Completely Non-Metal**

APPLICATIONS

Lumber wrap
Lumber tagging
Boatbuilding
Fiberglass lay-up
Composites manufacturing
Radiant barrier installation
House wrap
Casket lining
Casegoods tagging

TOOLS

Pneumatic:
OMER 82P Series

Manual:
RAPTOR® G-3PS
Hammer Tacker
RAPTOR® CT-H7000P
Compression Tacker

Material Grades

Standard material: Provides best drivability but can damage high speed steel moulder knives.
LF Material: Safe for most moulder blades but drivability is somewhat compromised.
NF Material: Safe for all delicate blades but drivability is somewhat compromised.

Colors

RAPTOR® fasteners are available in colors such as White, Brown, Redwood, Cedar, Blue, Red and Gray.
Please contact us for minimum order requirements and lead times.

