

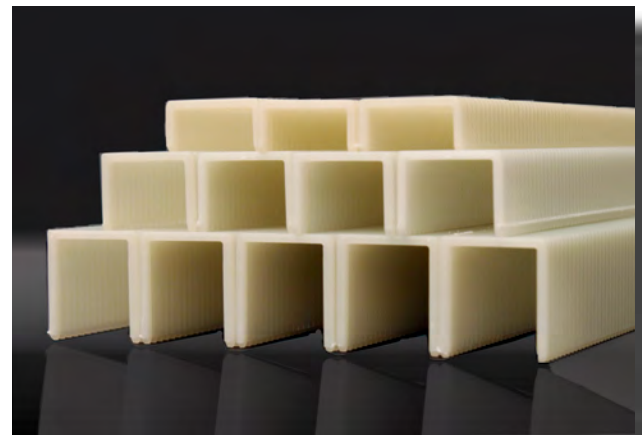
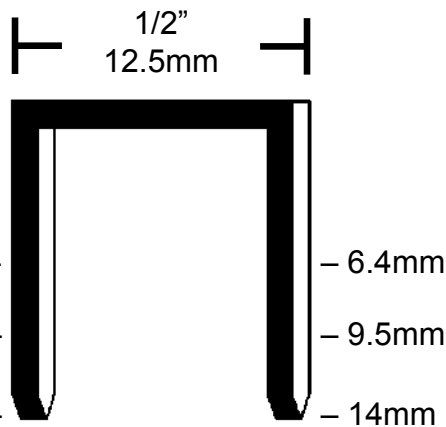


RAPTOR

Fastener Type

RAPTOR® S/05 Composite

19 Gauge Staple



Packaging: 5040 staples per box • 20 boxes per case

BENEFITS

- ✓ **Sawable, Sandable & Planeable**
- ✓ **Never Rusts or Corrodes**
- ✓ **Bonds Like Glue**
- ✓ **Completely Non-Metal**

APPLICATIONS

- Lumber wrap
- Lumber tagging
- Boatbuilding
- Fiberglass lay-up
- Composites manufacturing
- Radiant barrier installation
- House wrap
- Casket lining
- Caseloads tagging

TOOLS

- Pneumatic:
- OMER 81P Series
- Manual:
- RAPTOR® G-3PS
- RAPTOR® CT-6000P

Material Grades

Standard material: Provides best drivability but can damage high speed steel moulder knives.
 LF Material: Safe for most moulder blades but drivability is somewhat compromised.
 NF Material: Safe for all delicate blades but drivability is somewhat compromised.

Colors

RAPTOR® fasteners are available in colors such as White, Brown, Redwood, Cedar, Blue, Red and Gray.
 Please contact us for minimum order requirements and lead times.

