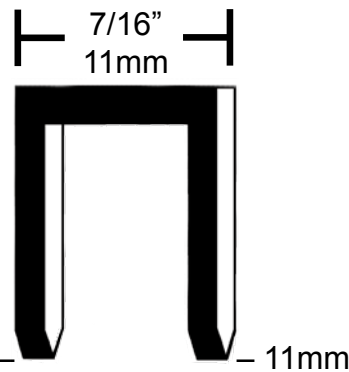




Fastener Type
BLACK MAGIC® SH/04-40TR
Composite 16 Gauge Tire Retread Staple



BENEFITS

- ✓ No staple removal
- ✓ No cut or abrasion marks from removing
- ✓ Eliminates envelope puncture and wear
- ✓ Fewer tire reruns
- ✓ Fewer tire in-service failures
- ✓ No metal staples littering the floor
- ✓ Reduces labor, material and maintenance costs

FEATURES

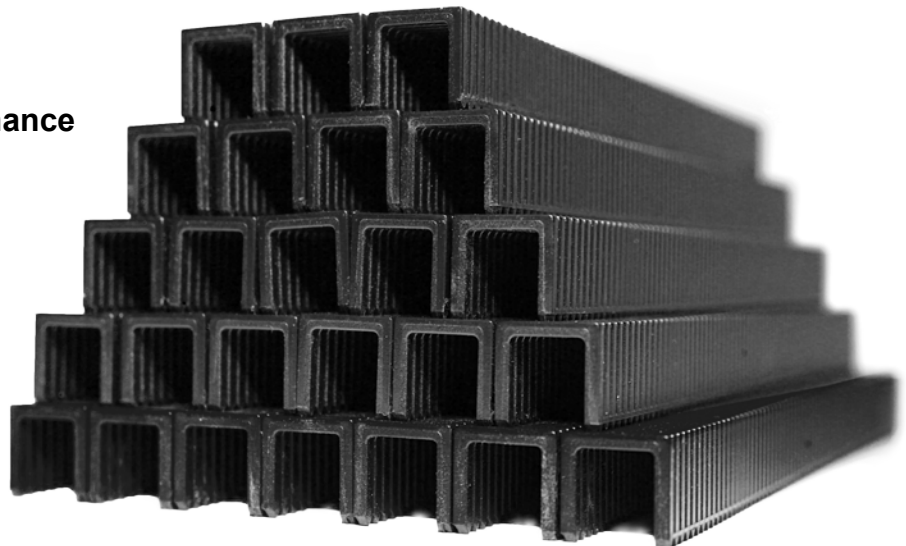
- ✓ Melts during cure cycle
- ✓ Completely non-metal

APPLICATIONS

Tire splice
Bench splice
Wick pad
Poly film
Tire tags

TOOLS

Pneumatic:
OMER 83P Series





OMER 83P Series Stapler

The 83P stapler drives BLACK MAGIC®, 16 gauge, composite, tire retread staples. It is extremely fast, lightweight, well-balanced and rugged.

The 83P is offered with a trigger safety or with a contact trip safety to reduce the possibility of accidental firing.



83P



83PS

TECHNICAL DATA

Model	83P	83PS
Magazine capacity	82 staples	82 staples
Operating air pressure	60 – 90 psi (4 – 6 bar)	
Dimensions LxWxH	8.5" x 1.7" x 5.8" 216 x 43 x 148mm	8.5" x 1.7" x 5.8" 216 x 43 x 148mm
Weight	1.9 lb (0.9 kg)	1.9 lb (0.9 kg)
Safety	Trigger	Contact

