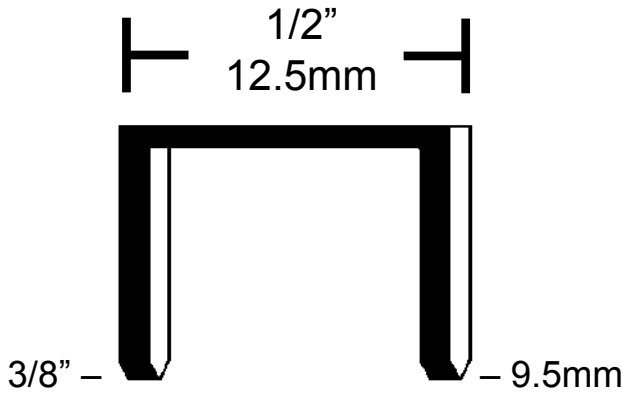




Fastener Type

**BLACK MAGIC® S/05-37TR**

**Composite 19 Gauge Tire Retread Staple**



## BENEFITS

- ✓ No staple removal
- ✓ No cut or abrasion marks from removing
- ✓ Eliminates envelope puncture and wear
- ✓ Fewer tire re-runs
- ✓ Fewer tire in-service failures
- ✓ No metal staples littering the floor
- ✓ Reduces labor, material and maintenance costs

## FEATURES

- ✓ Melts during cure cycle
- ✓ Completely non-metal

## APPLICATIONS

Tire splice  
Bench splice  
Wick pad  
Poly film  
Tire tags

## TOOLS

Pneumatic:  
OMER 81P Series



[www.blackmagicstaples.com](http://www.blackmagicstaples.com)

512.255.8525

2015 Utility Composites Incorporated



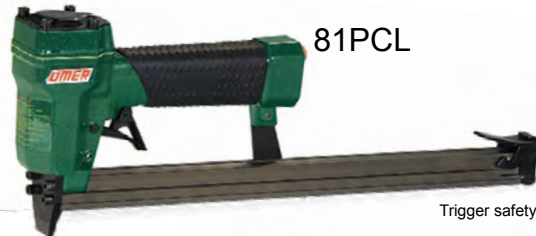


## OMER 81P Series Stapler

The 81P pneumatic stapler drives BLACK MAGIC®, 19 gauge, composite, tire retread staples. It is extremely fast, lightweight, well-balanced and rugged.

It is offered in a standard-length magazine and a long magazine version for operators who prefer less reloading.

The 81P is also offered with a trigger safety or with a contact trip safety to reduce the possibility of accidental firing.



### TECHNICAL DATA

Model	81P	81PS	81PCL	81PSCL
Magazine capacity	70 staples	70 staples	175 staples	175 staples
Operating air pressure	60 – 90 psi (4 – 6 bar)			
Dimensions LxWxH	8.5" x 1.7" x 5.8" (216 x 43 x 148mm)	8.5" x 1.7" x 5.8" (216 x 43 x 148mm)	13.8" x 1.7" x 5.8" (350 x 43 x 148mm)	13.8" x 1.7" x 5.8" (350 x 43 x 148mm)
Weight	1.9 lb (0.9 kg)	1.9 lb (0.9 kg)	2.4 lb (1.1 kg)	2.4 lb (1.1 kg)
Safety	Trigger	Contact	Trigger	Contact

